

FMC-S

COLUMN FOR MIRRORS

GENERAL

These mounting instructions contain information about the mounting of the FMC-S column with integrated mirror on the FMC-CB stand bottom and about their alignment.

For information about the mounting of the stand bottom and the function of the light curtains, please see the respective mounting and wiring instructions.

ASSEMBLY WITH THE FMC-CB STAND BOTTOM (Fig. 1)

- Mount the FMC-CB stand bottom on the floor (see mounting instruction for stand bottom).

Please note:

For a correct alignment, please verify that the stand bottom upper surface is even and horizontal (using a circular spirit level.)

To operate the regulation, act on the three hexagonal nuts B (fig.2) until the perfect levelness is reached. (Maximum adjustment: 10mm).

If the ground roughness is over 10mm, flush it adequately.

- Loosen the three socket head screws and remove the washers.
- Assemble the column to the stand bottom, centering the FMC-S column rotation flange with the guides of the FMC-CB stand bottom upper plate.
- Fix the column tightening the three socket head screws and the washers.

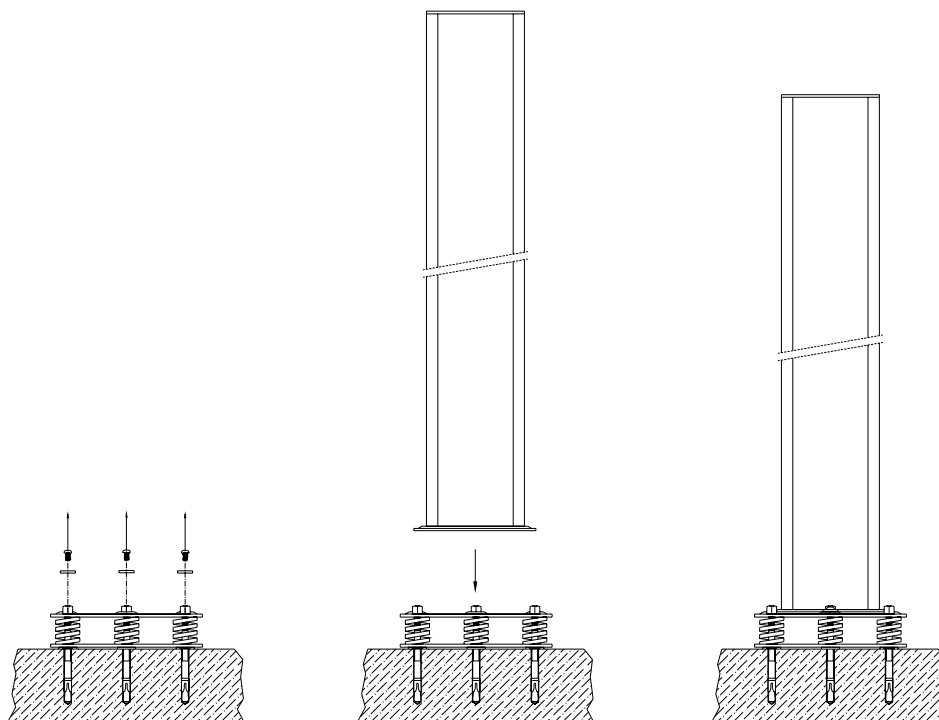


Figure 1

ALIGNMENT AND ADJUSTMENT (Fig: 2)

- Ensure that the stand with integrated mirror is in a vertical position (placing a spirit level (A) on the top end of the stand).
- Perform fine adjustments by means of the mounting screws (B) of the stand bottom.
- Connect the light curtain / the light grid.
- Verify, standing near the receiver axis, that the entire emitter shape appears on the first mirror as follows:
- For an exact alignment of emitter, receiver and stand with integrated mirror, loosen the three socket head screws that fix the stand (C) and turn the columns until the receiver receives the light signal emitted by the emitter in an optimal way (when looking from the emitter position, you must see the receiver in the mirror and vice versa).
- Then fix the position of the stand by tightening the three socket head screws and the washers (C).

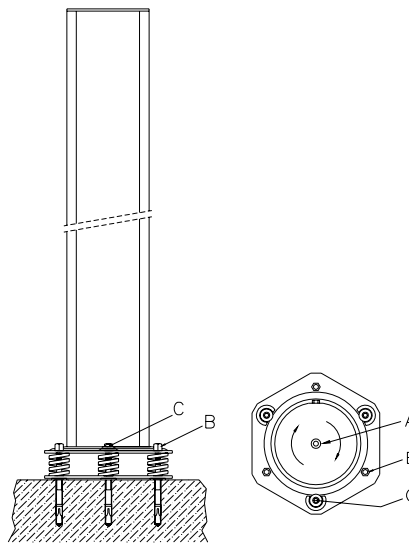


Figure 2

DIMENSIONS

MODEL	<i>FMC-S2</i>	<i>FMC-S3</i>	<i>FMC-S4</i>
<i>DIMENSION 'A' (mm)</i>	1000	1200	1330
<i>DIMENSION 'B' (mm)</i>	1055	1255	1385

MODEL	<i>FMC-S1700</i>	<i>FMC-S2000</i>
<i>DIMENSION 'A' (mm)</i>	1700	1970
<i>DIMENSION 'B' (mm)</i>	1755	2025

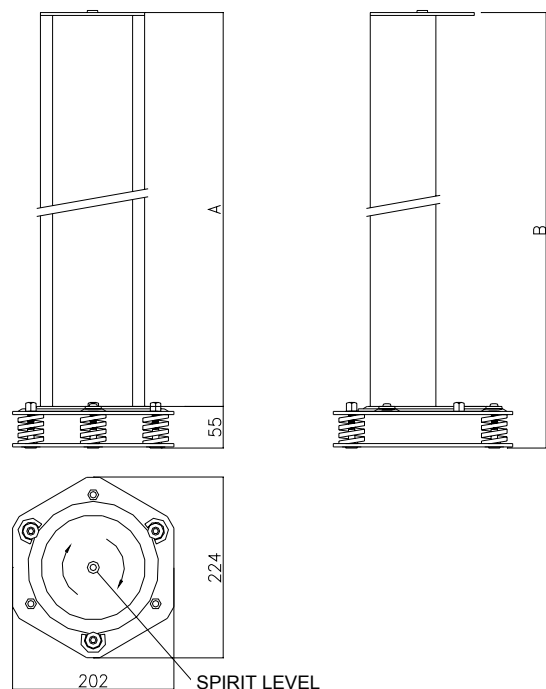


Figure 3