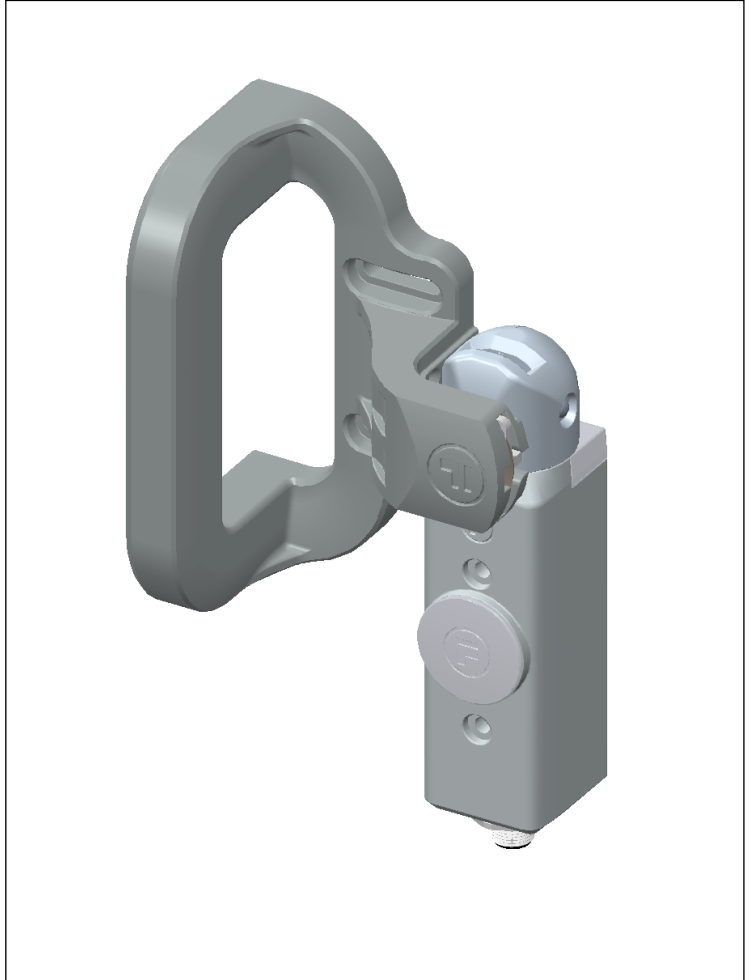
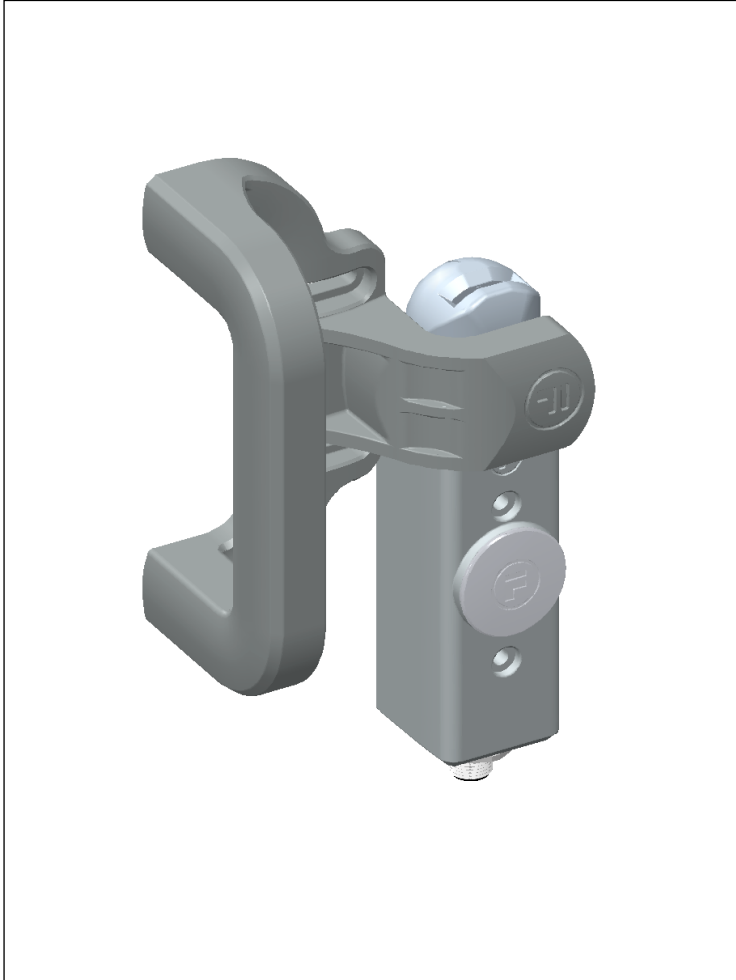


Datasheet for THSSQ1



Breakdown List

Item number: ITM-00047503	
Part	Description
THH	Head module including hinged actuator
TSS	Safety Switch - No N/O monitor contact
TQ1	5 Pin M12 QD Safety Only

Datasheet for THSSQ1

Technical Specification

tGard bietet "eine individuelle Sicherheitslösung als Standard" und wird durch eine Reihe von tGard-Elementen definiert, darunter Wahlschalter, Sicherheitsschalter (Magnetschalter und Nichtmagnetschalter), Personalschlüssel (Sicherheitsschlüssel), Notentriegelung, Drucktaster, Anzeigen und Anzeigen Lampen und eine Auswahl an Bediengriffen für Scharnier- und Schiebetüren. Diese Elemente werden einfach ausgewählt und dann zu einem robusten Gehäuse zusammengebaut, das sich zur Montage an der Maschinenschutzhaube eignet und dem Benutzer eine genaue, anwendungsspezifische Konfiguration bietet.

TGard ist schnell und einfach zu installieren und kann direkt auf einer Fläche montiert werden Oberfläche, Türen oder stranggepresste Aluminiumprofile ohne Montageplatten oder -halterungen. Es ist standardmäßig IP65 und wurde so konzipiert, dass es den neuen Sicherheitsstandards für Maschinen vollständig entspricht.

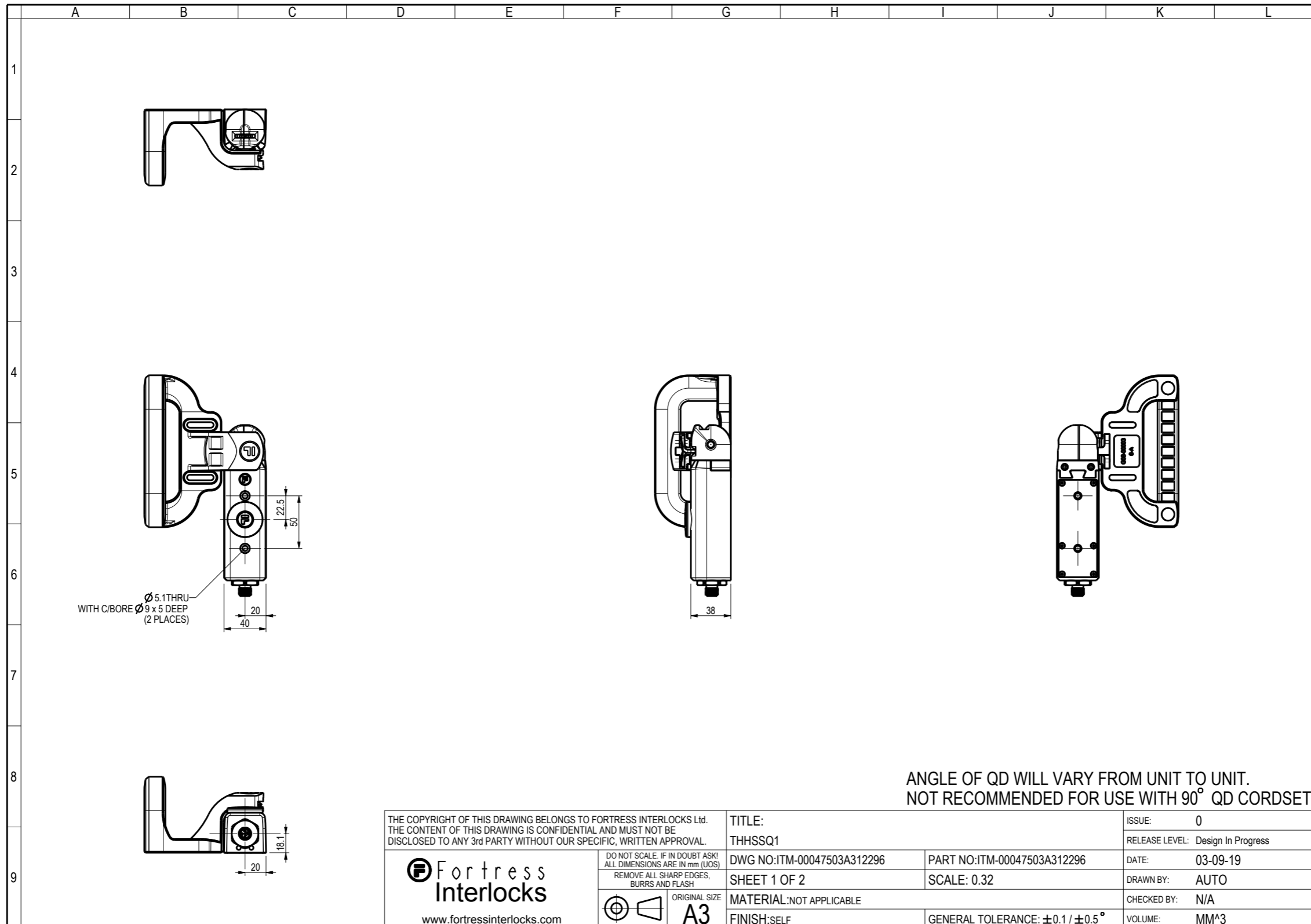
Technical Specification

Gehäusematerialien	THH	Lackierte Zinkdruckgusslegierung
	TSS	Lackiertes Aluminium-Druckguss
Kontaktmaterial	TSS	Silber
Farbe	THH	Dunkelgrau
	TSS	
Umgebungstemperatur	0°C bis 60°C (32°F bis 140°F)	
Umgebung	THH	Innen
	TSS	
Zugangsschutz	THH	IP65****
	TSS	
Haltekraft	THH	2500N
	TSS	7 - 9N (TSS/TSM) 38 - 40N (TSP)
Bedienkraft	THH	5N bis 10N
Mechanische Dauer	THH	1.000.000 Operationen
	TSS	
Maximale Häufigkeit der Vorgänge	THH	1 pro Sekunde
	TSS	
Kontaktelement-Schaltung	TSS	2 N / C bei Sicherheitsschaltkreisen 1 N / O pro Monitor (nur TSM)
Spannung	TSS	24V DC
Typ des Sicherheitsschalters	TSS	DC13: Le=0.5A, Ue=24V DC AC15: Le=1A, Ue=24V AC
Minimum Türangelradius	THH	150mm (mit TAH-Stellantrieb)
Schaltprinzip	TSS	Positiv Bruch

**** IP protection is to the tGard stack that this module attaches to, when correctly fitted according to installation and maintenance instructions.

Datasheet for THHSSQ1

Full Dimensional Drawing



Datasheet for THSSQ1

	A	B	C	D	E	F	G	H	I	J	K	L																																																																																																																																																																																																																						
1																																																																																																																																																																																																																																		
2	<table border="1"> <tr> <td>Item</td> <td>THHSSQ1</td> </tr> </table>												Item	THHSSQ1																																																																																																																																																																																																																				
Item	THHSSQ1																																																																																																																																																																																																																																	
3	<table border="1"> <tr> <td>HEAD</td> <td>1</td> <td>2</td> <td>3</td> <td>4</td> <td>5</td> <td>6</td> <td>7</td> <td>8</td> <td>9</td> <td>10</td> <td>Base</td> </tr> <tr> <td>THH</td> <td>SS</td> <td></td> <td></td> <td></td> <td></td> <td></td> <td></td> <td></td> <td></td> <td></td> <td>Q1</td> </tr> </table>												HEAD	1	2	3	4	5	6	7	8	9	10	Base	THH	SS										Q1																																																																																																																																																																																														
HEAD	1	2	3	4	5	6	7	8	9	10	Base																																																																																																																																																																																																																							
THH	SS										Q1																																																																																																																																																																																																																							
4	<table border="1"> <thead> <tr> <th></th> <th>Input</th> <th>Output</th> <th>2nd Output</th> <th>SC1 in</th> <th>SC2 in</th> <th>SC1 out</th> <th>SC2 out</th> <th>SC3 in</th> <th>SC4 in</th> <th>SC3 out</th> <th>SC4 out</th> <th>+24V</th> <th>0V</th> <th>Earth</th> </tr> </thead> <tbody> <tr> <td>TSS</td> <td>-</td> <td>-</td> <td>-</td> <td>1</td> <td>2</td> <td>3</td> <td>4</td> <td>-</td> <td>-</td> <td>-</td> <td>-</td> <td></td> <td></td> <td></td> </tr> <tr> <td></td> <td>-</td> <td>-</td> <td>-</td> <td>-</td> <td>-</td> <td>-</td> <td>-</td> <td>-</td> <td>-</td> <td>-</td> <td>-</td> <td></td> <td></td> <td></td> </tr> <tr> <td></td> <td>-</td> <td>-</td> <td>-</td> <td>-</td> <td>-</td> <td>-</td> <td>-</td> <td>-</td> <td>-</td> <td>-</td> <td>-</td> <td></td> <td></td> <td></td> </tr> <tr> <td></td> <td>-</td> <td>-</td> <td>-</td> <td>-</td> <td>-</td> <td>-</td> <td>-</td> <td>-</td> <td>-</td> <td>-</td> <td>-</td> <td></td> <td></td> <td></td> </tr> <tr> <td></td> <td>-</td> <td>-</td> <td>-</td> <td>-</td> <td>-</td> <td>-</td> <td>-</td> <td>-</td> <td>-</td> <td>-</td> <td>-</td> <td></td> <td></td> <td></td> </tr> <tr> <td></td> <td>-</td> <td>-</td> <td>-</td> <td>-</td> <td>-</td> <td>-</td> <td>-</td> <td>-</td> <td>-</td> <td>-</td> <td>-</td> <td></td> <td></td> <td></td> </tr> <tr> <td></td> <td>-</td> <td>-</td> <td>-</td> <td>-</td> <td>-</td> <td>-</td> <td>-</td> <td>-</td> <td>-</td> <td>-</td> <td>-</td> <td></td> <td></td> <td></td> </tr> <tr> <td></td> <td>-</td> <td>-</td> <td>-</td> <td>-</td> <td>-</td> <td>-</td> <td>-</td> <td>-</td> <td>-</td> <td>-</td> <td>-</td> <td></td> <td></td> <td></td> </tr> <tr> <td>6</td> <td>TQ1</td> <td></td> <td></td> <td></td> <td></td> <td></td> <td></td> <td></td> <td></td> <td></td> <td></td> <td>1</td> <td>3</td> <td>5</td> </tr> <tr> <td>7</td> <td colspan="12"> <p>Note: 2nd Output = Anti Clock turn on 3 Pos. Switch</p> <p>Note: ***** denotes safety element is wired in series to other safety elements</p> </td> </tr> <tr> <td>8</td> <td colspan="12"></td> </tr> <tr> <td>9</td> <td colspan="12"> <table border="1"> <tr> <td rowspan="3"> www.fortressinterlocks.com </td> <td colspan="2"> THE COPYRIGHT OF THIS DRAWING BELONGS TO FORTRESS INTERLOCKS Ltd. THE CONTENT OF THIS DRAWING IS CONFIDENTIAL AND MUST NOT BE DISCLOSED TO ANY 3rd PARTY WITHOUT OUR SPECIFIC, WRITTEN APPROVAL. </td> <td colspan="4"> TITLE: WIRING TABLE FOR THHSSQ1 </td> <td colspan="2"> ISSUE: 0 RELEASE LEVEL: Design In Progress </td> </tr> <tr> <td colspan="2"> DO NOT SCALE. IF IN DOUBT ASK! ALL DIMENSIONS ARE IN mm (UOS) REMOVE ALL SHARP EDGES, BURRS AND FLASH </td> <td colspan="2"> DWG NO: ITM-00047503A312296 SHEET 2 OF 2 </td> <td colspan="2"> PART NO: ITM-00047503A312296 SCALE: 0.32 </td> <td colspan="2"> DATE: 03-09-19 DRAWN BY: AUTO </td> </tr> <tr> <td colspan="2"> ORIGINAL SIZE </td> <td colspan="2"> MATERIAL: NOT APPLICABLE FINISH: SELF </td> <td colspan="2"> GENERAL TOLERANCE: ±0.1 / ±0.5° </td> <td colspan="2"> CHECKED BY: N/A VOLUME: 0.000 MM^3 </td> </tr> </table> </td> </tr> </tbody></table>													Input	Output	2nd Output	SC1 in	SC2 in	SC1 out	SC2 out	SC3 in	SC4 in	SC3 out	SC4 out	+24V	0V	Earth	TSS	-	-	-	1	2	3	4	-	-	-	-					-	-	-	-	-	-	-	-	-	-	-					-	-	-	-	-	-	-	-	-	-	-					-	-	-	-	-	-	-	-	-	-	-					-	-	-	-	-	-	-	-	-	-	-					-	-	-	-	-	-	-	-	-	-	-					-	-	-	-	-	-	-	-	-	-	-					-	-	-	-	-	-	-	-	-	-	-				6	TQ1											1	3	5	7	<p>Note: 2nd Output = Anti Clock turn on 3 Pos. Switch</p> <p>Note: ***** denotes safety element is wired in series to other safety elements</p>												8													9	<table border="1"> <tr> <td rowspan="3"> www.fortressinterlocks.com </td> <td colspan="2"> THE COPYRIGHT OF THIS DRAWING BELONGS TO FORTRESS INTERLOCKS Ltd. THE CONTENT OF THIS DRAWING IS CONFIDENTIAL AND MUST NOT BE DISCLOSED TO ANY 3rd PARTY WITHOUT OUR SPECIFIC, WRITTEN APPROVAL. </td> <td colspan="4"> TITLE: WIRING TABLE FOR THHSSQ1 </td> <td colspan="2"> ISSUE: 0 RELEASE LEVEL: Design In Progress </td> </tr> <tr> <td colspan="2"> DO NOT SCALE. IF IN DOUBT ASK! ALL DIMENSIONS ARE IN mm (UOS) REMOVE ALL SHARP EDGES, BURRS AND FLASH </td> <td colspan="2"> DWG NO: ITM-00047503A312296 SHEET 2 OF 2 </td> <td colspan="2"> PART NO: ITM-00047503A312296 SCALE: 0.32 </td> <td colspan="2"> DATE: 03-09-19 DRAWN BY: AUTO </td> </tr> <tr> <td colspan="2"> ORIGINAL SIZE </td> <td colspan="2"> MATERIAL: NOT APPLICABLE FINISH: SELF </td> <td colspan="2"> GENERAL TOLERANCE: ±0.1 / ±0.5° </td> <td colspan="2"> CHECKED BY: N/A VOLUME: 0.000 MM^3 </td> </tr> </table>												 www.fortressinterlocks.com	THE COPYRIGHT OF THIS DRAWING BELONGS TO FORTRESS INTERLOCKS Ltd. THE CONTENT OF THIS DRAWING IS CONFIDENTIAL AND MUST NOT BE DISCLOSED TO ANY 3rd PARTY WITHOUT OUR SPECIFIC, WRITTEN APPROVAL.		TITLE: WIRING TABLE FOR THHSSQ1				ISSUE: 0 RELEASE LEVEL: Design In Progress		DO NOT SCALE. IF IN DOUBT ASK! ALL DIMENSIONS ARE IN mm (UOS) REMOVE ALL SHARP EDGES, BURRS AND FLASH		DWG NO: ITM-00047503A312296 SHEET 2 OF 2		PART NO: ITM-00047503A312296 SCALE: 0.32		DATE: 03-09-19 DRAWN BY: AUTO		ORIGINAL SIZE		MATERIAL: NOT APPLICABLE FINISH: SELF		GENERAL TOLERANCE: ±0.1 / ±0.5°		CHECKED BY: N/A VOLUME: 0.000 MM^3	
	Input	Output	2nd Output	SC1 in	SC2 in	SC1 out	SC2 out	SC3 in	SC4 in	SC3 out	SC4 out	+24V	0V	Earth																																																																																																																																																																																																																				
TSS	-	-	-	1	2	3	4	-	-	-	-																																																																																																																																																																																																																							
	-	-	-	-	-	-	-	-	-	-	-																																																																																																																																																																																																																							
	-	-	-	-	-	-	-	-	-	-	-																																																																																																																																																																																																																							
	-	-	-	-	-	-	-	-	-	-	-																																																																																																																																																																																																																							
	-	-	-	-	-	-	-	-	-	-	-																																																																																																																																																																																																																							
	-	-	-	-	-	-	-	-	-	-	-																																																																																																																																																																																																																							
	-	-	-	-	-	-	-	-	-	-	-																																																																																																																																																																																																																							
	-	-	-	-	-	-	-	-	-	-	-																																																																																																																																																																																																																							
6	TQ1											1	3	5																																																																																																																																																																																																																				
7	<p>Note: 2nd Output = Anti Clock turn on 3 Pos. Switch</p> <p>Note: ***** denotes safety element is wired in series to other safety elements</p>																																																																																																																																																																																																																																	
8																																																																																																																																																																																																																																		
9	<table border="1"> <tr> <td rowspan="3"> www.fortressinterlocks.com </td> <td colspan="2"> THE COPYRIGHT OF THIS DRAWING BELONGS TO FORTRESS INTERLOCKS Ltd. THE CONTENT OF THIS DRAWING IS CONFIDENTIAL AND MUST NOT BE DISCLOSED TO ANY 3rd PARTY WITHOUT OUR SPECIFIC, WRITTEN APPROVAL. </td> <td colspan="4"> TITLE: WIRING TABLE FOR THHSSQ1 </td> <td colspan="2"> ISSUE: 0 RELEASE LEVEL: Design In Progress </td> </tr> <tr> <td colspan="2"> DO NOT SCALE. IF IN DOUBT ASK! ALL DIMENSIONS ARE IN mm (UOS) REMOVE ALL SHARP EDGES, BURRS AND FLASH </td> <td colspan="2"> DWG NO: ITM-00047503A312296 SHEET 2 OF 2 </td> <td colspan="2"> PART NO: ITM-00047503A312296 SCALE: 0.32 </td> <td colspan="2"> DATE: 03-09-19 DRAWN BY: AUTO </td> </tr> <tr> <td colspan="2"> ORIGINAL SIZE </td> <td colspan="2"> MATERIAL: NOT APPLICABLE FINISH: SELF </td> <td colspan="2"> GENERAL TOLERANCE: ±0.1 / ±0.5° </td> <td colspan="2"> CHECKED BY: N/A VOLUME: 0.000 MM^3 </td> </tr> </table>												 www.fortressinterlocks.com	THE COPYRIGHT OF THIS DRAWING BELONGS TO FORTRESS INTERLOCKS Ltd. THE CONTENT OF THIS DRAWING IS CONFIDENTIAL AND MUST NOT BE DISCLOSED TO ANY 3rd PARTY WITHOUT OUR SPECIFIC, WRITTEN APPROVAL.		TITLE: WIRING TABLE FOR THHSSQ1				ISSUE: 0 RELEASE LEVEL: Design In Progress		DO NOT SCALE. IF IN DOUBT ASK! ALL DIMENSIONS ARE IN mm (UOS) REMOVE ALL SHARP EDGES, BURRS AND FLASH		DWG NO: ITM-00047503A312296 SHEET 2 OF 2		PART NO: ITM-00047503A312296 SCALE: 0.32		DATE: 03-09-19 DRAWN BY: AUTO		ORIGINAL SIZE		MATERIAL: NOT APPLICABLE FINISH: SELF		GENERAL TOLERANCE: ±0.1 / ±0.5°		CHECKED BY: N/A VOLUME: 0.000 MM^3																																																																																																																																																																																														
 www.fortressinterlocks.com	THE COPYRIGHT OF THIS DRAWING BELONGS TO FORTRESS INTERLOCKS Ltd. THE CONTENT OF THIS DRAWING IS CONFIDENTIAL AND MUST NOT BE DISCLOSED TO ANY 3rd PARTY WITHOUT OUR SPECIFIC, WRITTEN APPROVAL.		TITLE: WIRING TABLE FOR THHSSQ1				ISSUE: 0 RELEASE LEVEL: Design In Progress																																																																																																																																																																																																																											
	DO NOT SCALE. IF IN DOUBT ASK! ALL DIMENSIONS ARE IN mm (UOS) REMOVE ALL SHARP EDGES, BURRS AND FLASH		DWG NO: ITM-00047503A312296 SHEET 2 OF 2		PART NO: ITM-00047503A312296 SCALE: 0.32		DATE: 03-09-19 DRAWN BY: AUTO																																																																																																																																																																																																																											
	ORIGINAL SIZE		MATERIAL: NOT APPLICABLE FINISH: SELF		GENERAL TOLERANCE: ±0.1 / ±0.5°		CHECKED BY: N/A VOLUME: 0.000 MM^3																																																																																																																																																																																																																											